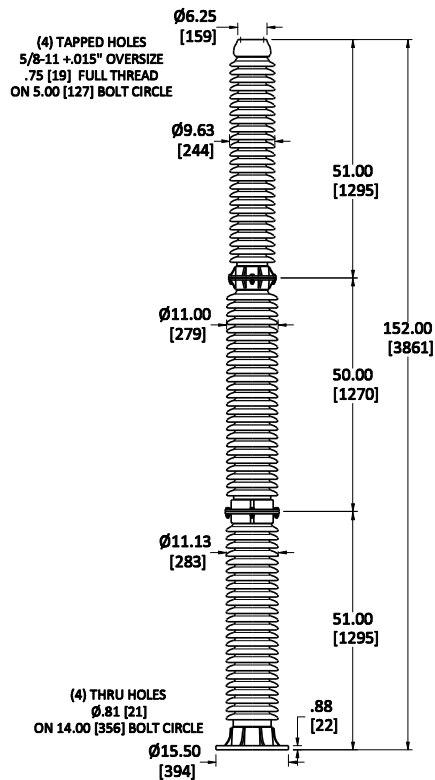
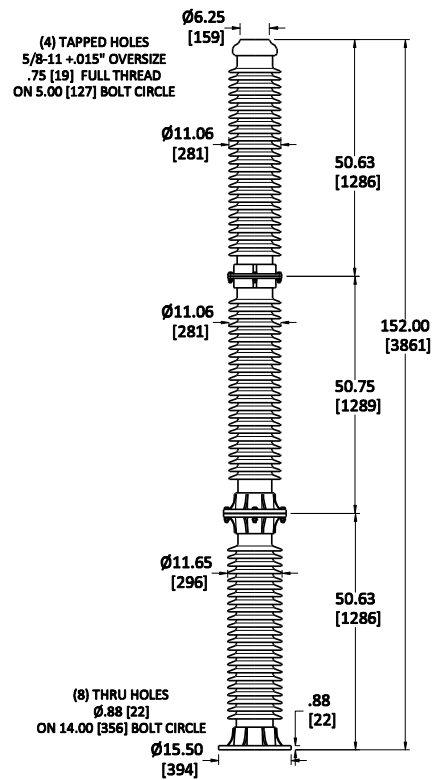


315391-70
Standard Strength



315392-70+L
High Strength



315393-70+L
Extra High Strength

Characteristics

Catalog Number (Light Gray-ANSI 70)	315391-70	315392-70+L	315393-70+L
Catalog Number (Brown)	315391	315392+L	315393+L
Catalog Number (RG®)	535391A	535392A+L	535393A+L
ANSI Technical Reference Number	T.R. 391	T.R. 392	T.R. 393
Dimensions			
Leakage Distance, Reference Standard, in. [mm]	370 [9398]	360 [9144]	360 [9144]
Leakage Distance, High Leak, in. [mm]	510 [12954]	530 [13462]	518 [13157]
Leakage Distance, Extra High Leak, inches [mm]	570 [14478]	575 [14605]	---
Mechanical Values			
Cantilever Strength, lbs. [kN]	1400 [6.2]	1750 [7.8]	2500 [11.1]
Tensile Strength, lbs. [kN]	20000 [89.0]	20000 [89.0]	25000 [111.2]
Torsion Strength, in.-lbs. [kNm]	60000 [6.77]	60000 [6.77]	90000 [10.16]
Compression Strength, lbs. [kN]	60000 [266.9]	60000 [266.9]	90000 [400.3]
Electrical Values			
Impulse Flashover, Positive, kV	2000	2000	2000
Low Frequency Withstand, 10 Sec. Wet, kV	710	710	710
Impulse Withstand, kV	1800	1800	1800
Radio Influence Voltage Data **			
Test Voltage, Rms to Ground, kV	318	318	318
Maximum RIV, Microvolts at 1000 kHz	2000	2000	2000
Net Weight, Each, lbs. [kg]	690.0 [313.0]	816.8 [370.5]	966.7 [438.5]

** 1800 kV BIL may require corona rings to achieve RIV rating depending on application.
See later page for Lapp Universal Corona Ring.