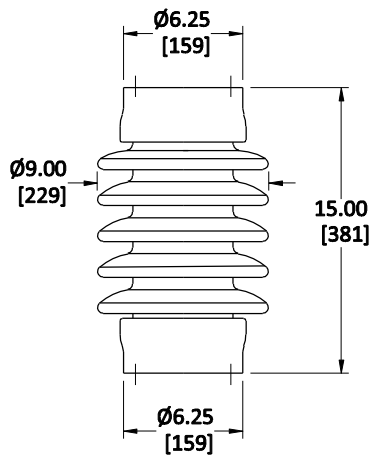


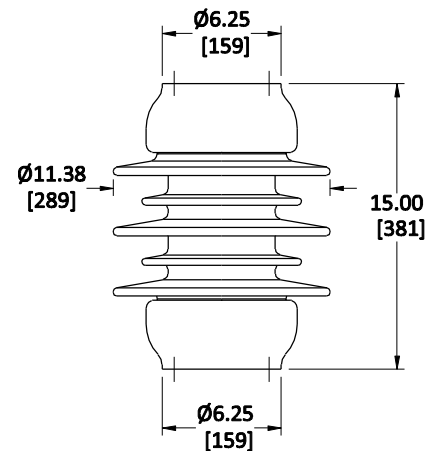
(4) TAPPED HOLES
1/2-13 +.015" OVERSIZE
.50 [13] FULL THREAD
ON 3.00 [76] BOLT CIRCLE

315208-70
Standard Strength



(4) TAPPED HOLES
5/8-11 +.015" OVERSIZE
.75 [19] FULL THREAD
ON 5.00 [127] BOLT CIRCLE

315227-70
High Strength

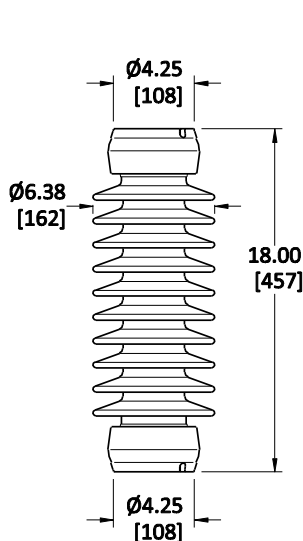


(4) TAPPED HOLES
5/8-11 +.015" OVERSIZE
.75 [19] FULL THREAD
ON 5.00 [127] BOLT CIRCLE

315237-70+L
Extra High Strength

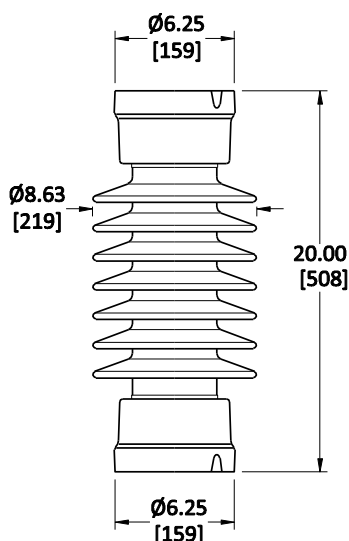
Characteristics

Catalog Number (Light Gray-ANSI 70)	315208-70	315227-70	315237-70+L
Catalog Number (Brown)	315208	315227	315237+L
Catalog Number (RG®)	535208A	535227A	535237A+L
ANSI Technical Reference Number	T.R. 208	T.R. 227	---
Dimensions			
Leakage Distance, Reference Standard, in. [mm]	24 [610]	24 [610]	24 [610]
Leakage Distance, High Leak, in. [mm]	---	35 [889]	---
Leakage Distance, Extra High Leak, inches [mm]	37 [940]	---	---
Mechanical Values			
Cantilever Strength, lbs. [kN]	2000 [8.9]	4000 [17.8]	8000 [35.6]
Tensile Strength, lbs. [kN]	10000 [44.5]	20000 [89.0]	28000 [124.5]
Torsion Strength, in.-lbs. [kNm]	8000 [0.90]	16000 [1.81]	40000 [4.52]
Compression Strength, lbs. [kN]	10000 [44.5]	20000 [89.0]	40000 [177.9]
Electrical Values			
Impulse Flashover, Positive, kV	170	170	170
Low Frequency Withstand, 10 Sec. Wet, kV	60	60	60
Impulse Withstand, kV	150	150	150
Radio Influence Voltage Data			
Test Voltage, Rms to Ground, kV	15	15	15
Maximum RIV, Microvolts at 1000 kHz	100	100	100
Net Weight, Each, lbs. [kg]	27.6 [12.5]	51.2 [23.2]	66.0 [29.9]



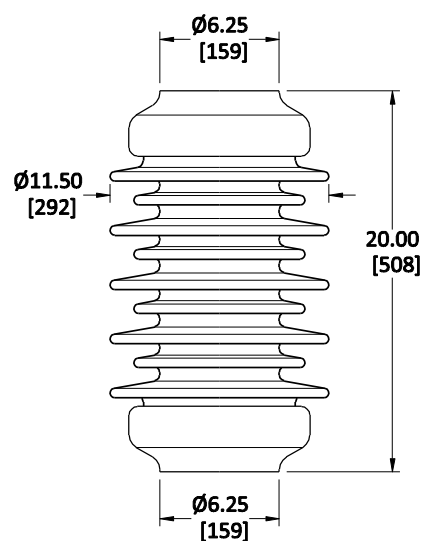
(4) TAPPED HOLES
1/2-13 +.015" OVERSIZE
.50 [12] FULL THREAD
ON 3.00 [76] BOLT CIRCLE

315210-70
Standard Strength



(4) TAPPED HOLES
5/8-11 +.015" OVERSIZE
.63 [16] FULL THREAD
ON 5.00 [127] BOLT CIRCLE

315231-70
High Strength



(4) TAPPED HOLES
5/8-11 +.015" OVERSIZE
.75 [19] FULL THREAD
ON 5.00 [127] BOLT CIRCLE

315241-70+L
Extra High Strength

Characteristics

Catalog Number (Light Gray-ANSI 70)	315210-70	315231-70	315241-70+L
Catalog Number (Brown)	315210	315231	315241+L
Catalog Number (RG®)	535210A	535231A	535241A+L
ANSI Technical Reference Number	T.R. 210	T.R. 231	T.R. 241
Dimensions			
Leakage Distance, Reference Standard, in. [mm]	37 [940]	37 [940]	37 [940]
Leakage Distance, High Leak, in. [mm]	---	52 [1321]	---
Leakage Distance, Extra High Leak, inches [mm]	54 [1372]	---	---
Mechanical Values			
Cantilever Strength, lbs. [kN]	2000 [8.9]	4000 [17.7]	8000 [35.6]
Tensile Strength, lbs. [kN]	12000 [53.4]	25000 [111.2]	28000 [124.5]
Torsion Strength, in-lbs. [kNm]	10000 [1.13]	20000 [2.26]	40000 [4.52]
Compression Strength, lbs. [kN]	15000 [66.7]	30000 [133.4]	60000 [266.9]
Electrical Values			
Impulse Flashover, Positive, kV	225	225	225
Low Frequency Withstand, 10 Sec. Wet, kV	80	80	80
Impulse Withstand, kV	200	200	200
Radio Influence Voltage Data			
Test Voltage, Rms to Ground, kV	22	22	22
Maximum RIV, Microvolts at 1000 kHz	100	100	100
Net Weight, Each, lbs. [kg]	34.4 [15.6]	59.5 [27.0]	110.1 [49.9]